

WHITE MOUNTAIN PROCESS

www.wmprocess.com

617-202-2800

Mixer Mount Assembly allows a wide variety of mixers to be attached and incorporated into batch tank system

Plastic Material of Construction complies with FDA Regulation 177.1520 and National Sanitation Foundation (NSF) standard 61.

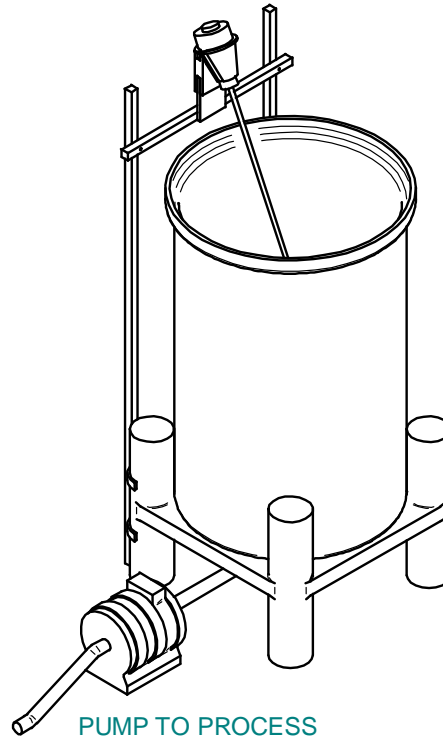
MIXER/Agitator Options

- Electric or Air Motor
- Fixed or Variable Speed
- Sanitary + Biopharm Design
- Direct or Gear Drive
- 316SS Shaft + Impeller typical

Flat and Total Drain Bottom Tank Configurations are designed to interface with respective tank stands.

Fitting Options including welded, bolted or bulkhead types of fittings

Outlet Valves + Drains can be specified
Optional Discharge Pump



Hinged Lid Design

Superior all plastic hinge provides more reliable service and greater protection from dust and debris. Bolted and sealed lids also available.

Replaceable/Disposable Liner System

eliminates the need to clean the tanks interior surface before reuse. (optional)

Biopharm USP VI Bags + Liners

Molded in Gallon and Liter Markers provide permanent gallonage indication for the life of the tank.

Heavy Duty Stand Design is corrosion proof and available for both flat and total drain bottom tank configurations; stands elevate tanks 12" to 18" off the floor for fitting and piping clearance. (optional)

STANDS: Plastic, stainless and painted steel options

TYPICAL SIZES AVAILABLE:

CLOSED TOP TANKS "TOTAL" DRAIN BOTTOM W/PLASTIC STANDS				
Gallons	Height	Diameter	Height w/12" stand	Mixer size
30	29"	18"	43"	WMP 1/4D
55	42"	26"	55"	WMP 1/4D
90	41"	34"	55"	WMP 1/4D
120	51"	34"	66"	WMP 1/3D
150	62"	34"	76"	WMP 1/3D
200	58"	40"	72"	WMP 1/2D
200	54"	40"	66"	WMP 1/2D
250	70"	40"	84"	WMP 1/2D
275	60"	47"	73"	WMP 1/2HFDD
330	69"	47"	83"	WMP 1/2HFDD
360	60"	53"	74"	WMP 1/2HFDD
400	73"	45"	82"	WMP 1/2HFDD
440	71"	53"	85"	WMP 1/2HFDD
500	79"	53"	93"	WMP 1/2G
550	86"	48"	94"	WMP 1/2G
850	126"	48"	136"	WMP 1/2G

Mixer size assumptions:

Viscosity < 500cp

SG < 1.15

Solids < 10%

Temp = ambient

pH = advise

	NAME	DATE	Sigma Plus Engineering Solutions		
DRAWN	A.Skorohod	01/29/08			
CHECKED	J. Sinitsky	01/29/08			
ENG APPR			SIZE DWG NO REV A3 DFT200801002		
MGR APPR					
UNLESS OTHERWISE SPECIFIED			FILE NAME: DFT200801002.dft		
DIMENSIONS ARE IN			SCALE: WEIGHT: SHEET 1 OF 1		
MILLIMETERS					
ANGLES ±X.X°					
2 PL ±X.XX 3 PL ±X.XXX					