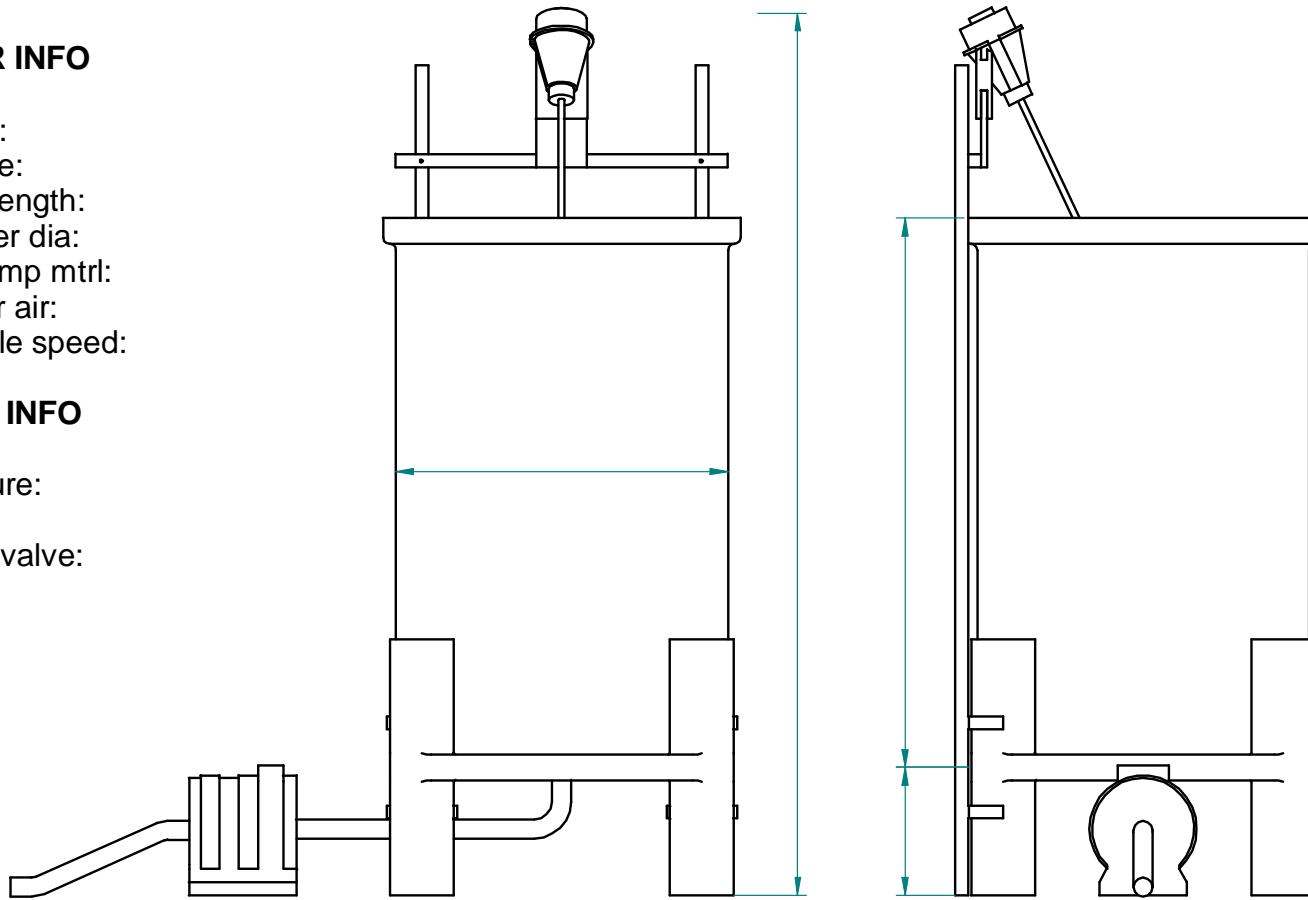


**MIXER INFO**

HP:  
 Speed:  
 Voltage:  
 Shaft length:  
 Impeller dia:  
 Shaft/imp mtrl:  
 Elec or air:  
 Variable speed:

**PUMP INFO**

Type:  
 Pressure:  
 Flow:  
 Outlet valve:



**TANK**

Material:  
 FDA/USP:  
 Work volume:  
 Dimensions:  
 Bottom type:  
 Lid or closure:  
 Stand material:  
 Controls rqd:  
 Misc items:

Fluid to be mixed:  
 Viscosity:  
 SG:  
 Temp:  
 PH:  
 Solids %:  
 Results desired:

**TANK AND MIXER DATA SHEET**

|  | NAME        | DATE     | <b>Sigma Plus</b><br>Engineering Solutions |         |              |
|--|-------------|----------|--|---------|--------------|
| DRAWN  | A.Skorohod  | 01/29/08 |  |         |              |
| CHECKED  | J. Sinitsky | 01/29/08 |  |         |              |
| ENG APPR   |             |          | SIZE DWG NO REV<br>A3 DFT200801003         |         |              |
| MGR APPR   |             |          |  |         |              |
| UNLESS OTHERWISE SPECIFIED<br>DIMENSIONS ARE IN<br>MILLIMETERS<br>ANGLES ±X.X°<br>2 PL ±X.XX 3 PL ±X.XXX |             |          | FILE NAME: DFT200801003.dft                |         |              |
|  |             |          | SCALE:                                     | WEIGHT: | SHEET 1 OF 1 |